

multidec® TWIN Insert Holders

Increase Your Tooling Capacity!



UTILIS
Tooling for High Technology

- Increases tooling capacity
- Saves time on tool position changes
- Coolant-thru versions available
- 2 operations with 1 holder
- Extend production runs without physical tool change

Available multidec® Insert Combinations:

1600 Series & 1600 Series

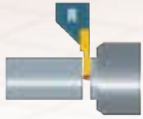
1600 Series & ISO DC Series

1600 Series & ISO VC Series

1600 Series & ISO VP Series

www.genswiss.com | 1-(413)-562-4800

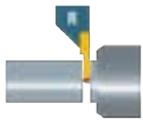
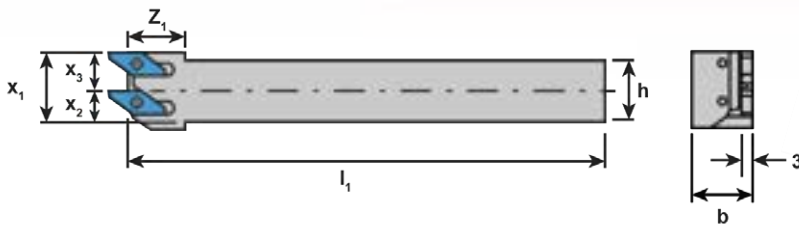
sales@genswiss.com



1600 Twin Holder
 Type: 1600 / 1600 Inserts
 Coolant-Thru: None

Repeatability <20µm

Left Hand		Right Hand		Dimensions & Features								
Item No.	Description	Item No.	Description	h	b	l	z ₁	x ₁	x ₂	x ₃	Inserts	Max Ø
Call For Details	1600L/1600L-0810x100 Twin	Call For Details	1600R/1600R-0810x100 Twin	8	10	100	20	16	4	8	1600 Series	11.5
Call For Details	1600L/1600L-10x100 Twin	7005-150758	1600R/1600R-10x100 Twin	10	10	100	20	16	5	8	1600 Series	11.5
Call For Details	1600L/1600L-12x100 Twin	Call For Details	1600R/1600R-12x100 Twin	12	12	100	20	16	6	8	1600 Series	11.5
Call For Details	1600L/1600L-16x125 Twin	Call For Details	1600R/1600R-16x125 Twin	16	16	125	20	20	8	10	1600 Series	19
Call For Details	1600L/1600L-20x125 Twin	Call For Details	1600R/1600R-20x125 Twin	20	20	125	20	24	8	14	1600 Series	34
Call For Details	1600L/1600L-3/8"x100 Twin	Call For Details	1600R/1600R-3/8"x100 Twin	3/8"	3/8"	100	20	16	5	8	1600 Series	11.5
Call For Details	1600L/1600L-1/2"x100 Twin	Call For Details	1600R/1600R-1/2"x100 Twin	1/2"	1/2"	100	20	16	6	8	1600 Series	11.5
Call For Details	1600L/1600L-5/8"x125 Twin	Call For Details	1600R/1600R-5/8"x125 Twin	5/8"	5/8"	125	20	20	8	10	1600 Series	19
Call For Details	1600L/1600L-3/4"x125 Twin	Call For Details	1600R/1600R-3/4"x125 Twin	3/4"	3/4"	125	20	24	7	14	1600 Series	34

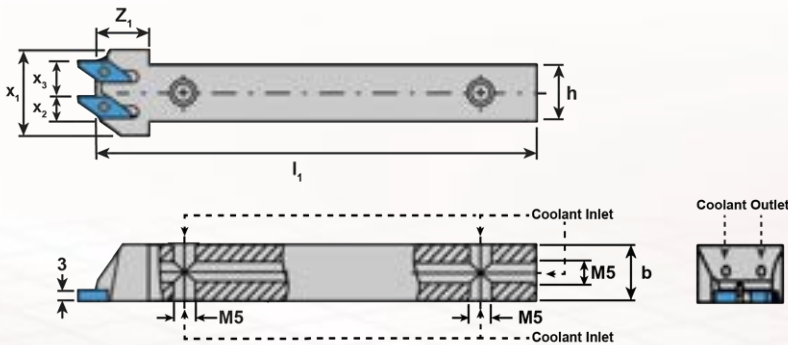


1600 Twin Holder Coolant-Thru
 Type: 1600 / 1600 Inserts
 Coolant-Thru: Side & Rear Coolant Ports

Repeatability <10µm

Left Hand		Right Hand		Dimensions & Features									
Item No.	Description	Item No.	Description	h	b	l	z ₁	x ₁	x ₂	x ₃	d	Inserts	Max Ø
Call For Details	1600L/1600L-0812x100 Twin IC	Call For Details	1600R/1600R-0812x100 Twin IC	8	12	100	20	20	3	8	M5	1600 Series	11.5
Call For Details	1600L/1600L-1012x100 Twin IC	Call For Details	1600R/1600R-1012x100 Twin IC	10	12	100	20	20	4	8	M5	1600 Series	11.5
Call For Details	1600L/1600L-12x100 Twin IC	7005-150353	1600R/1600R-12x100 Twin IC	12	12	100	20	20	5	8	M5	1600 Series	11.5
Call For Details	1600L/1600L-16x125 Twin IC	Call For Details	1600R/1600R-16x125 Twin IC	16	16	125	20	24	7	10	G1/8	1600 Series	19
Call For Details	1600L/1600L-20x125 Twin IC	Call For Details	1600R/1600R-20x125 Twin IC	20	20	125	20	28	7	14	G1/8	1600 Series	34
Call For Details	1600L/1600L-3/8"12x100 Twin IC	Call For Details	1600R/1600R-3/8"12x100 Twin IC	3/8"	3/8"	100	20	20	4	8	M5	1600 Series	11.5
Call For Details	1600L/1600L-1/2"x100 Twin IC	Call For Details	1600R/1600R-1/2"x100 Twin IC	1/2"	1/2"	100	20	20	6	8	M5	1600 Series	11.5
Call For Details	1600L/1600L-5/8"x125 Twin IC	Call For Details	1600R/1600R-5/8"x125 Twin IC	5/8"	5/8"	125	20	24	7	10	G1/8	1600 Series	19
Call For Details	1600L/1600L-3/4"x125 Twin IC	Call For Details	1600R/1600R-3/4"x125 Twin IC	3/4"	3/4"	125	20	28	6	14	G1/8	1600 Series	34

Features (5) connection ports for simple connection to your oil delivery system. (4) Side ports and (1) one end port making connection possible on most machine tool positions



4005-000111
 Connects to side ports on ALL Shank sizes
 0° Male Union - M5-0.8 to 1/4 JIC Flare Fitting
Included With All Coolant-Thru Shanks.



4005-000104
 Connects to end port on 5/8" and larger shanks
 0° Male Union - 1/8 BSPP to 1/4 JIC Flare Fitting
Fits Position (d) On Tool Holders
Sold Separately.



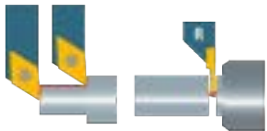
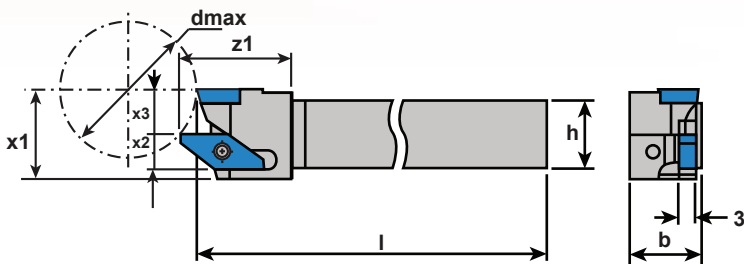


ISO TWIN Holder SDJC

Type: 93°, DC ISO / 1600 Inserts
Coolant-Thru: None

Repeatability <20µm

Right Hand		Dimensions & Features								
Item No.	Description	b	h	l	z ₁	x ₁	x ₂	x ₃	d _{max}	Inserts
Call For Details	SDJCR/1600R-0810 H07 Twin	8	8	80	20	16	4	8	23	DC...0702
Call For Details	SDJCR/1600R-1010 H07 Twin	8	8	100	20	16	5	8	23	DC...0702
Call For Details	SDJCR/1600R-1212 H07 Twin	10	10	80	20	16	6	8	23	DC...0702
Call For Details	SDJCR/1600R-1616 K11 Twin	10	10	100	20	20	8	10	35	DC...11T3
Call For Details	SDJCR/1600R-2020 K11 Twin	12	12	100	20	24	8	14	68	DC...11T3
Call For Details	SDJCR/1600R-3/8" H07 Twin	9.525	9.525	100	20	16	4.76	8	23	DC...0702
Call For Details	SDJCR/1600R-1/2" H07 Twin	12.7	12.7	100	20	16	6.35	8	23	DC...0702
Call For Details	SDJCR/1600R-5/8" K11 Twin	15.875	15.875	125	20	20	7.94	10	35	DC...11T3
Call For Details	SDJCR/1600R-3/4" K11 Twin	19.05	19.05	125	20	24	7.53	14	68	DC...11T3



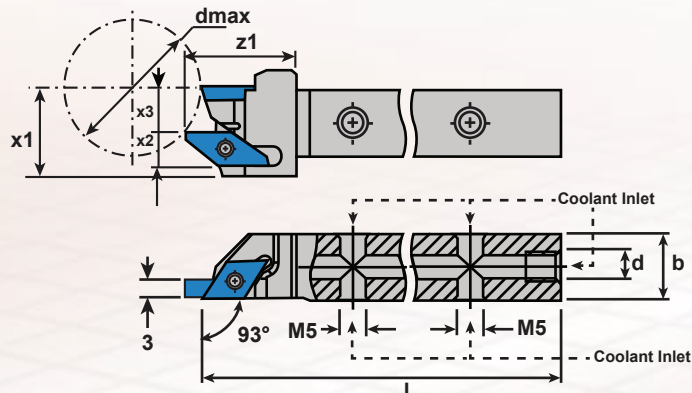
ISO TWIN Coolant-Thru Holder SDJC

Type: 93°, DC ISO / 1600 Inserts
Coolant-Thru: Rear & Side Ports

Repeatability <10µm

Right Hand		Dimensions & Features									Coolant Fittings		
Item No.	Description	b	h	l	z ₁	x ₁	x ₂	x ₃	d	d _{max}	Inserts	Side	Rear
Call For Details	SDJCR/1600R-0810 H07 Twin IC	8	8	100	20	19	2.5	8	M5	23	DC...0702	4005-000111	4005-000111
Call For Details	SDJCR/1600R-1010 H07 Twin IC	8	8	100	20	19	3.5	8	M5	23	DC...0702	4005-000111	4005-000111
Call For Details	SDJCR/1600R-1212 H07 Twin IC	10	10	100	20	19	4.5	8	M5	23	DC...0702	4005-000111	4005-000111
Call For Details	SDJCR/1600R-1616 K11 Twin IC	10	10	125	26	23	6.5	10	G1/8"	35	DC...11T3	4005-000111	4005-000104
Call For Details	SDJCR/1600R-2020 K11 Twin IC	12	12	125	26	27	6.5	14	G1/8"	68	DC...11T3	4005-000111	4005-000104
Call For Details	SDJCR/1600R-3/8" H07 Twin IC	9.525	9.525	100	20	19	3.26	8	M5	23	DC...0702	4005-000111	4005-000111
Call For Details	SDJCR/1600R-1/2" H07 Twin IC	12.7	12.7	100	20	19	4.85	8	M5	23	DC...0702	4005-000111	4005-000111
Call For Details	SDJCR/1600R-5/8" K11 Twin IC	15.875	15.875	125	26	23	6.44	10	G1/8"	35	DC...11T3	4005-000111	4005-000104
Call For Details	SDJCR/1600R-3/4" K11 Twin IC	19.05	19.05	125	26	27	5.53	14	G1/8"	68	DC...11T3	4005-000111	4005-000104

Features (5) connection ports for simple connection to your oil delivery system: (4) Side ports and (1) one end port making connection possible on most machine tool positions.

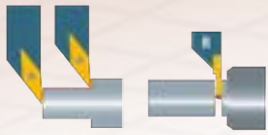


4005-000111

Connects to side ports on ALL Shank sizes
0° Male Union - M5-0.8 to 1/4 JIC Flare Fitting
Included With All Coolant-Thru Shanks

4005-000104

Connects to end port on 5/8" and larger shanks
0° Male Union - 1/8 BSPP to 1/4 JIC Flare Fitting
**Fits Position (d) On Tool Holders
Sold Separately.**



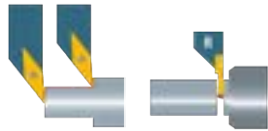
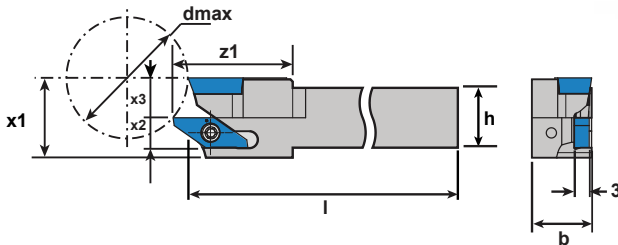
TWIN Insert Holder SVJC

Type: 93° VC ISO / 1600 Series Inserts

Coolant-Thru: None

Repeatability <20µm

Right Hand		Dimensions & Features								
Item No.	Description	b	h	l	z ₁	x ₁	x ₂	x ₃	d _{max}	Inserts
Call For Details	SVJCR/1600R-0810 H07 Twin	10	8	100	24	16	4	8	24	VC...0702
Call For Details	SVJCR/1600R-1010 H07 Twin	10	10	100	24	16	5	8	24	VC...0702
Call For Details	SVJCR/1600R-1212 H07 Twin	12	12	100	24	16	6	8	24	VC...0702
Call For Details	SVJCR/1600R-0810 H11 Twin	10	8	100	24	16	4	8	24	VC...1103
Call For Details	SVJCR/1600R-1010 H11 Twin	10	10	100	24	16	5	8	24	VC...1103
Call For Details	SVJCR/1600R-1212 H11 Twin	12	12	100	24	16	6	8	24	VC...1103
Call For Details	SVJCR/1600R-1616 K11 Twin	16	16	125	24	23	8	10	36	VC...1103
Call For Details	SVJCR/1600R-2020 K11 Twin	20	20	125	24	27	8	14	68	VC...1103
Call For Details	SVJCR/1600R-3/8" H07 Twin	9.525	9.525	100	24	16	4.76	8	24	VC...0702
Call For Details	SVJCR/1600R-1/2" H07 Twin	12.7	12.7	100	24	16	6.35	8	24	VC...0702
Call For Details	SVJCR/1600R-3/8" H11 Twin	9.525	9.525	100	24	16	4.76	8	24	VC...1103
Call For Details	SVJCR/1600R-1/2" H11 Twin	12.7	12.7	100	24	16	6.35	8	24	VC...1103
Call For Details	SVJCR/1600R-5/8" K11 Twin	15.875	15.875	125	24	23	7.94	10	36	VC...1103
Call For Details	SVJCR/1600R-3/4" K11 Twin	19.05	19.05	125	24	27	7.53	14	68	VC...1103



TWIN Insert Coolant-Thru Holder SVJC

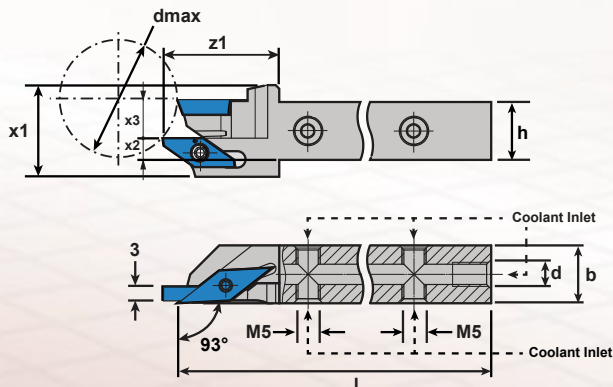
Type: 93° VC ISO / 1600 Series Inserts

Coolant-Thru: Rear & Side Ports

Repeatability <10µm

Right Hand		Dimensions & Features										Coolant Fittings	
Item No.	Description	b	h	l	z ₁	x ₁	x ₂	x ₃	d	d _{max}	Inserts	Side	Rear
Call For Details	SVJCR/1600R-0810 H07 Twin IC	10	8	100	24	16	4	8	M5	24	VC...0702	4005-000111	4005-000111
Call For Details	SVJCR/1600R-1010 H07 Twin IC	10	10	100	24	16	5	8	M5	24	VC...0702	4005-000111	4005-000111
Call For Details	SVJCR/1600R-1212 H07 Twin IC	12	12	100	24	16	6	8	M5	24	VC...0702	4005-000111	4005-000111
Call For Details	SVJCR/1600R-0810 H11 Twin IC	10	8	100	24	16	4	8	M5	24	VC...1103	4005-000111	4005-000111
Call For Details	SVJCR/1600R-1010 H11 Twin IC	10	10	100	24	16	5	8	M5	24	VC...1103	4005-000111	4005-000111
Call For Details	SVJCR/1600R-1212 H11 Twin IC	12	12	100	24	16	6	8	M5	24	VC...1103	4005-000111	4005-000111
Call For Details	SVJCR/1600R-1616 K11 Twin IC	16	16	125	24	20	8	10	G1/8"	36	VC...1103	4005-000111	4005-000104
Call For Details	SVJCR/1600R-2020 K11 Twin IC	20	20	125	24	24	8	14	G1/8"	68	VC...1103	4005-000111	4005-000104
Call For Details	SVJCR/1600R-3/8" H07 Twin IC	9.525	9.525	100	24	16	4.76	8	M5	24	VC...0702	4005-000111	4005-000111
Call For Details	SVJCR/1600R-1/2" H07 Twin IC	12.7	12.7	100	24	16	6.35	8	M5	24	VC...0702	4005-000111	4005-000111
Call For Details	SVJCR/1600R-3/8" H07 Twin IC	9.525	9.525	100	24	16	4.76	8	M5	24	VC...0702	4005-000111	4005-000111
Call For Details	SVJCR/1600R-1/2" H07 Twin IC	12.7	12.7	100	24	16	6.35	8	M5	24	VC...0702	4005-000111	4005-000111
Call For Details	SVJCR/1600R-5/8" K11 Twin IC	15.875	15.875	125	24	20	7.94	10	G1/8"	36	VC...1103	4005-000111	4005-000104
Call For Details	SVJCR/1600R-3/4" K11 Twin IC	19.05	19.05	125	24	24	7.53	14	G1/8"	68	VC...1103	4005-000111	4005-000104

Features (5) connection ports for simple connection to your oil delivery system. (4) Side ports and (1) one end port making connection possible on most machine tool positions.

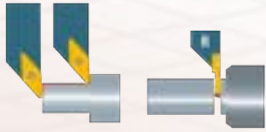


4005-000111

Connects to side ports on ALL Shank sizes
0° Male Union - M5-0.8 to 1/4 JIC Flare Fitting
Included With All Coolant-Thru Shanks

4005-000104

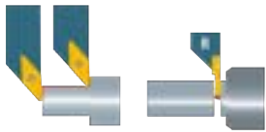
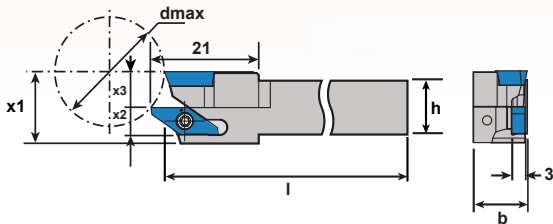
Connects to end port on 5/8" and larger shanks
0° Male Union - 1/8 BSPP to 1/4 JIC Flare Fitting
Fits Position (d) On Tool Holders
Sold Separately.



ISO TWIN Holder SVJP
 Type: 93°, VP ISO / 1600 Inserts (R-R)
 Coolant-Thru: None

Repeatability <20µm

Right - Right		Dimensions & Features								Inserts	
Item No.	Description	h	b	l	x ₁	x ₂	x ₃	d _{max}			
Call For Details	SVJPR/1600R-0810 H10 Twin	8	10	100	16	4	8	23	VP.. 1003	16...R	
Call For Details	SVJPR/1600R-1010 H10 Twin	10	10	100	16	5	8	23	VP.. 1003	16...R	
Call For Details	SVJPR/1600R-1212 H10 Twin	12	12	100	16	6	8	23	VP.. 1003	16...R	
Call For Details	SVJPR/1600R-1616 K10 Twin	16	16	125	20	8	10	34	VP.. 1003	16...R	
Call For Details	SVJPR/1600R-2020 K10 Twin	20	20	125	24	8	14	63	VP.. 1003	16...R	
Call For Details	SVJPR/1600R-3/8" H10 Twin	9.525	9.525	100	16	4.76	8	23	VP.. 1003	16...R	
Call For Details	SVJPR/1600R-1/2" H10 Twin	12.7	12.7	100	16	6.35	8	23	VP.. 1003	16...R	
Call For Details	SVJPR/1600R-5/8" K10 Twin	15.875	15.875	125	20	7.94	10	34	VP.. 1003	16...R	
Call For Details	SVJPR/1600R-3/4" K10 Twin	19.05	19.05	125	24	7.53	14	63	VP.. 1003	16...R	

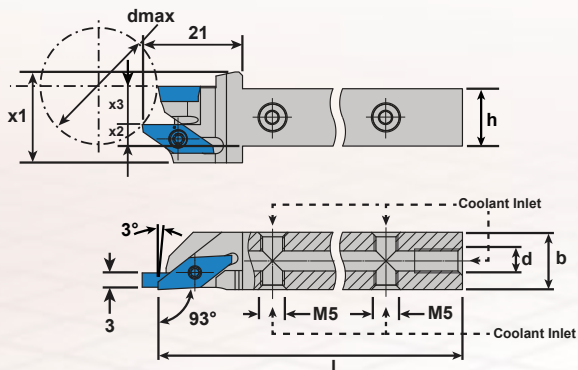


Coolant-Thru ISO TWIN Holder SVJP
 Type: 93°, VP ISO / 1600 Inserts (R-R)
 Coolant-Thru: Rear & Side Ports

Repeatability <10µm

Right - Right		Dimensions & Features								Coolant Fittings			
Item No.	Description	h	b	l	x ₁	x ₂	x ₃	d	d _{max}	Inserts	Side	Rear	
Call For Details	SVJPR/1600R-0810 H10 Twin IC	8	10	100	16	4	8	M5	23	VP.. 1003	16...R	4005-000111	4005-000111
Call For Details	SVJPR/1600R-1010 H10 Twin IC	10	10	100	16	5	8	M5	23	VP.. 1003	16...R	4005-000111	4005-000111
Call For Details	SVJPR/1600R-1212 H10 Twin IC	12	12	100	16	6	8	M5	23	VP.. 1003	16...R	4005-000111	4005-000111
Call For Details	SVJPR/1600R-1616 K10 Twin IC	16	16	125	20	8	10	G1/8"	34	VP.. 1003	16...R	4005-000111	4005-000104
Call For Details	SVJPR/1600R-2020 K10 Twin IC	20	20	125	24	8	14	G1/8"	63	VP.. 1003	16...R	4005-000111	4005-000104
Call For Details	SVJPR/1600R-3/8" H10 Twin IC	9.525	9.525	100	16	4.76	8	M5	23	VP.. 1003	16...R	4005-000111	4005-000111
Call For Details	SVJPR/1600R-1/2" H10 Twin IC	12.7	12.7	100	16	6.35	8	M5	23	VP.. 1003	16...R	4005-000111	4005-000111
Call For Details	SVJPR/1600R-5/8" K10 Twin IC	15.875	15.875	125	20	7.94	10	G1/8"	34	VP.. 1003	16...R	4005-000111	4005-000104
Call For Details	SVJPR/1600R-3/4" K10 Twin IC	19.05	19.05	125	24	7.53	14	G1/8"	63	VP.. 1003	16...R	4005-000111	4005-000104

Features (5) connection ports for simple connection to your oil delivery system: (4) Side ports and (1) one end port making connection possible on most machine tool positions.

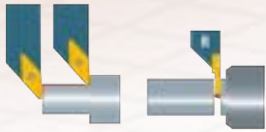


4005-000111

Connects to side ports on ALL Shank sizes
 0° Male Union - M5-0.8 to 1/4 JIC Flare Fitting
Included With All Coolant-Thru Shanks

4005-000104

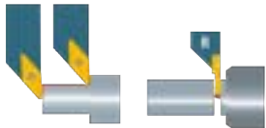
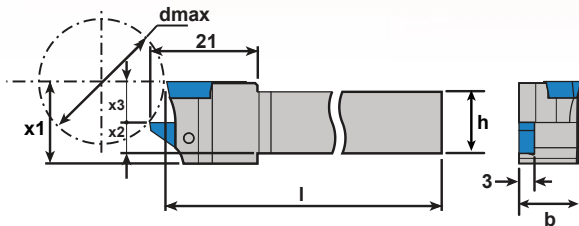
Connects to end port on 5/8" and larger shanks
 0° Male Union - 1/8 BSPP to 1/4 JIC Flare Fitting
Fits Position (d) On Tool Holders
Sold Separately.



ISO TWIN Holder SVJP
 Type: 93°, VP ISO / 1600 Inserts (R-L)
 Coolant-Thru: None

Repeatability <20µm

Right - Left		Dimensions & Features								Inserts	
Item No.	Description	h	b	l	x ₁	x ₂	x ₃	d _{max}			
Call For Details	SVJPR/1600L-0810 H10 Twin	8	10	100	16	4	8	23	VP.. 1003	16...L	
Call For Details	SVJPR/1600L-1010 H10 Twin	10	10	100	16	5	8	23	VP.. 1003	16...L	
Call For Details	SVJPR/1600L-1212 H10 Twin	12	12	100	16	6	8	23	VP.. 1003	16...L	
Call For Details	SVJPR/1600L-1616 K10 Twin	16	16	125	20	8	12	33	VP.. 1003	16...L	
Call For Details	SVJPR/1600L-2020 K10 Twin	20	20	125	24	8	14	63	VP.. 1003	16...L	
Call For Details	SVJPR/1600L-3/8" H10 Twin	9.525	9.525	100	16	4.76	8	23	VP.. 1003	16...L	
Call For Details	SVJPR/1600L-1/2" H10 Twin	12.7	12.7	100	16	6.35	8	23	VP.. 1003	16...L	
Call For Details	SVJPR/1600L-5/8" K10 Twin	15.875	15.875	125	20	7.94	10	33	VP.. 1003	16...L	
Call For Details	SVJPR/1600L-3/4" K10 Twin	19.05	19.05	125	24	7.53	14	63	VP.. 1003	16...L	

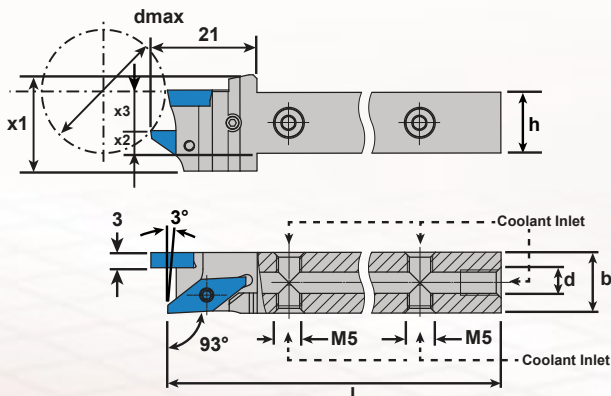


Coolant-Thru ISO TWIN Holder SVJP
 Type: 93°, VP ISO / 1600 Inserts (R-L)
 Coolant-Thru: Rear & Side Ports

Repeatability <10µm

Right - Left		Dimensions & Features										Coolant Fittings	
Item No.	Description	h	b	l	x ₁	x ₂	x ₃	d	d _{max}	Inserts		Side	Rear
Call For Details	SVJPR/1600L-0810 H10 Twin IC	8	10	100	19	2.5	8	M5	23	VP.. 1003	16...L	4005-000111	4005-000111
Call For Details	SVJPR/1600L-1010 H10 Twin IC	10	10	100	19	3.5	8	M5	23	VP.. 1003	16...L	4005-000111	4005-000111
Call For Details	SVJPR/1600L-1212 H10 Twin IC	12	12	100	19	4.5	8	M5	23	VP.. 1003	16...L	4005-000111	4005-000111
Call For Details	SVJPR/1600L-1616 K10 Twin IC	16	16	125	23	6.5	10	G1/8"	34	VP.. 1003	16...L	4005-000111	4005-000104
Call For Details	SVJPR/1600L-2020 K10 Twin IC	20	20	125	27	6.5	14	G1/8"	63	VP.. 1003	16...L	4005-000111	4005-000104
Call For Details	SVJPR/1600L-3/8" H10 Twin IC	9.525	9.525	100	19	3.26	8	M5	23	VP.. 1003	16...L	4005-000111	4005-000111
Call For Details	SVJPR/1600L-1/2" H10 Twin IC	12.7	12.7	100	19	4.85	8	M5	23	VP.. 1003	16...L	4005-000111	4005-000111
Call For Details	SVJPR/1600L-5/8" K10 Twin IC	15.875	15.875	125	23	6.44	10	G1/8"	34	VP.. 1003	16...L	4005-000111	4005-000104
Call For Details	SVJPR/1600L-3/4" K10 Twin IC	19.05	19.05	125	27	6.03	14	G1/8"	63	VP.. 1003	16...L	4005-000111	4005-000104

Features (5) connection ports for simple connection to your oil delivery system: (4) Side ports and (1) one end port making connection possible on most machine tool positions.



4005-000111

Connects to side ports on ALL Shank sizes
 0° Male Union - M5-0.8 to 1/4 JIC Flare Fitting
Included With All Coolant-Thru Shanks

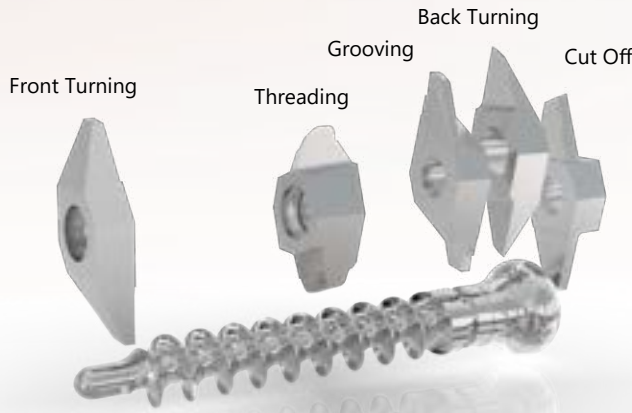


4005-000104

Connects to end port on 5/8" and larger shanks
 0° Male Union - 1/8 BSPP to 1/4 JIC Flare Fitting
Fits Position (d) On Tool Holders
Sold Separately.

1600 Series Micro Inserts
Create features down to .002in

- Highly repeatable cutting edge
- .05mm to 2.75mm (.0019" - .1082") insert widths
- Micro grooving, front turning, back turning, micro threading, & cut off operations



Prefix	Operation
1602	Part Cut Off
1603	Front Turning
1604	Back Turning
1605	Groove & Turning
1606	Threading
1607	Full Radius Grooving
1610	Micro Grooving
1611	Axial Grooving
1612	Chamfering

ISO DC & VC Series Micro Inserts
Designed to ISO standards

- Highly focused ISO style insert range collected specifically for Swiss applications
- Large choice of carbide grades cover a wide range of materials
- Vast assortment of chip breaker styles and geometries



55° ISO DC Inserts

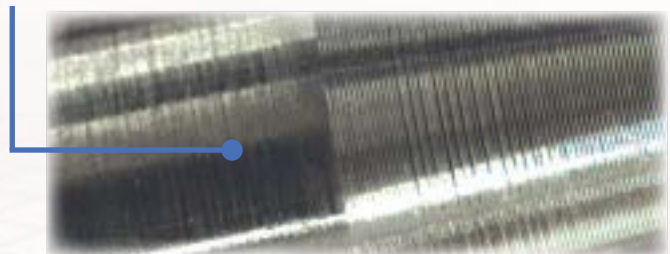


35° ISO VC Inserts

TOP Series Micro Inserts
Designed to ISO standards

- Wiper geometry enables faster feeds while maintaining good surface finish
- Holders especially designed for front turning and back turning in Swiss-type machines
- Versatile cutting geometry and chip breaker enables turning in three directions
- Decreases cycle time by enabling up to 2X feed rate while maintaining surface quality

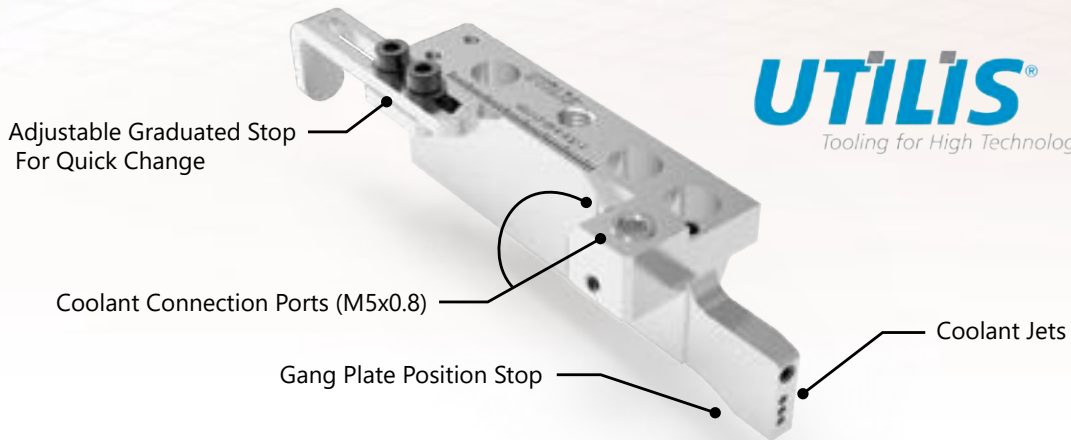
Turned With A **multidec® TOP Wiper Insert**



muldtidec® Swiss Type Tools

Coolant Thru Wedges & Accessories

UTILIS®
Tooling for High Technology



- **Works With Any High-Quality Square Shank Tooling**
- **Adjustable Stop Provides Quick Change Capability**
- **Eliminates Stringy Chips From Collecting On Your Cutting Tools**
- **Low Interference Design**

Compact Accessories With High Pressure Capability



Tight Bending Radius

